



VITA 10.1" PPC

10.1" Frameless Panel PC with
6th / 7th Gen Intel® Skylake / Kaby Lake-U,
i7 / i5 / i3 / Celeron CPU

■ Features:

- 10.1" LCD with capacitive touch screen
- Intel® Skylake / Kaby Lake-U, i7 / i5 / i3 / Celeron CPU
- 1 x DDR4 1866 / 2133 MHz SODIMM, Max. 16GB
- 2 x GbE, 4 x COM, DVI, VGA, 4x USB, 1 x SIM
- Wide Range 9~36V DC input
- Frameless Panel & Aluminum housing

■ Specifications :

Motherboard	3I610CW	
CPU	Intel® Skylake / Kaby Lake-U, i7 / i5 / i3 / Celeron CPU	
Chipset	Intel Skylake / Kaby Lake-U SoC	
Memory	1 x DDR4 SODIMM, Max. 16GB	
Storage	mSATA, HDD / SSD*	
Expansion slots	1 x Full-size Mini PCIe (PCIe / USB / mSATA) 1x Full-size Mini PCIe (PCIe / USB 3.0 / USB 2.0) 1 x SIM	
I/O ports	Network	2 x Intel GbE
	USB	4 x USB 3.0
	Serial ports	4 x RS232 / 422 / 485
	Display	1 x VGA, 1 x DVI
Optional Modules & Function	GPS, Bluetooth, PoE, WiFi, 4G LTE, Isolated COM, battery UPS *SATA Kit, *VESA Mount Kit, *External power adapter	
■ Certification	CE / FCC	
OS Support	Windows 7, Windows 8.1, Windows 10, Linux	

■ Mechanical

Dimensions	260.67W x 183.37D x 70.8H mm
Weight	2.5 kg
Mounting	VESA mount & Stand (optional)

■ Power

DC input	+9~36V
AC input	External adapter 100 / 240V AC-DC (optional)

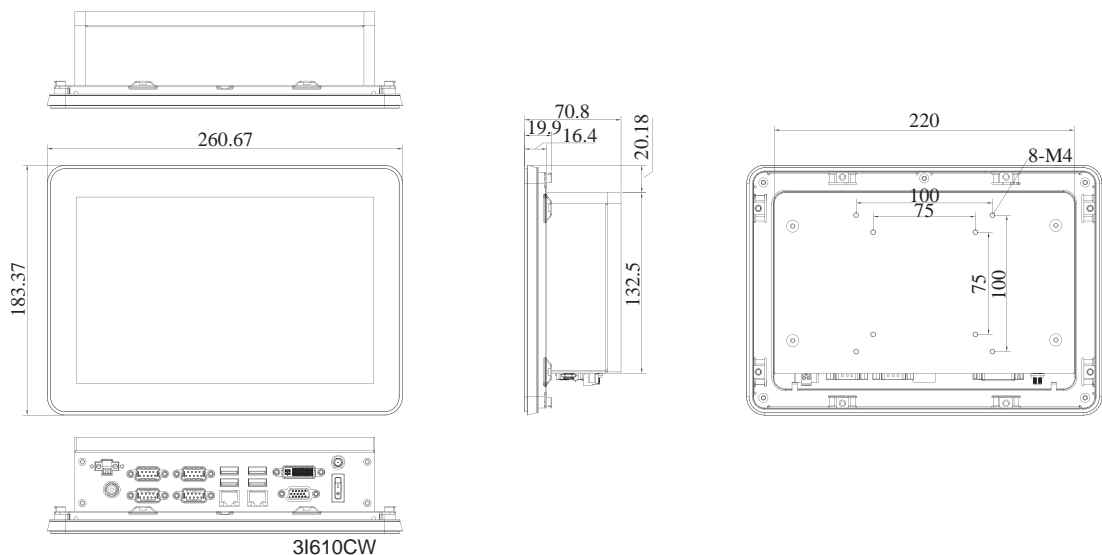
■ LCD Display & Touch

Display Type	10.1 inch 16:9
Max. Resolution	1280 x 800
Viewing Angle	85(U), 85(D), 85(R), 85(L)
Luminance (cd/m2)	500
Contrast Ratio	1300:1
Touch Type	Projected Capacitive Touch Screen

■ Environment

Operating Temp. (100 % CPU usage)	-20°C to +50°C with mSATA / SSD
Storage Temp.	-20°C to +70°C
Relative Humidity	95% @ 40°C, non-condensing
IP Rating	Front panel IP65 Compliant

■ Dimension



Specification are subject to change without prior notice. ODM / OEM is available.